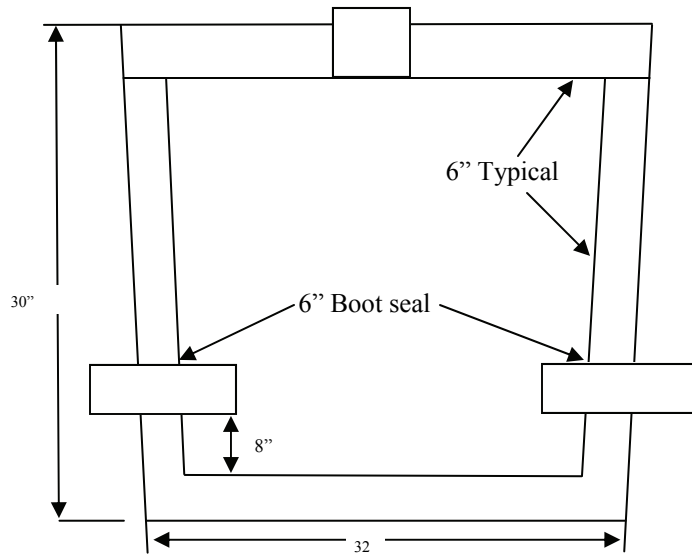
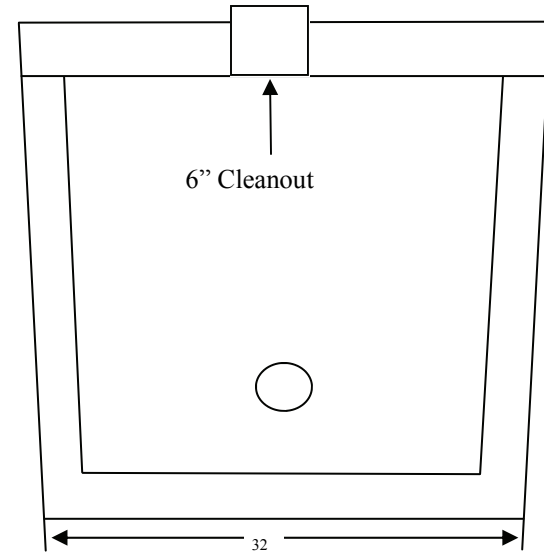


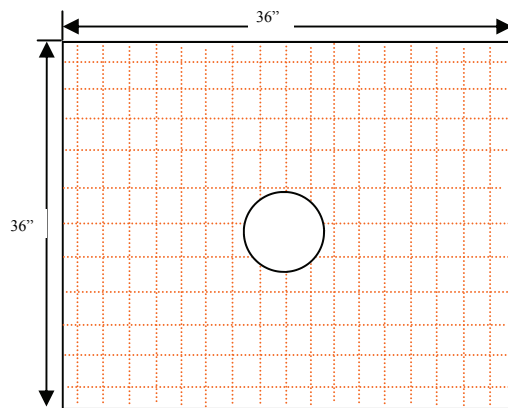
Sampling Box CAT 4



Side View



End View



Lid View

Notes:

Receptacle has been designed and tested in accordance with Florida Administrative Code (FAC) 381 Chapter 64E-6.

Polylok VI High Pressure Closed End Boot Seal (Accepts 4" & 6" Pipe) It also meets ASTM C-923 specifications and can fit in a 3"- 6.5" wall with pipe and tighten take up clamp.

Sebring Septic Tank

Big Enough To Serve, Small Enough To Care

Sampling Box

Concrete @ 4000psi. Air space calculated @ 15% minimum. Steel placement in tank lid, #6 grade 60 deformed rebar 6" OC, both ways. Walls are reinforced with #4 grade 60 deformed rebar 6" OC. Max cover 6"