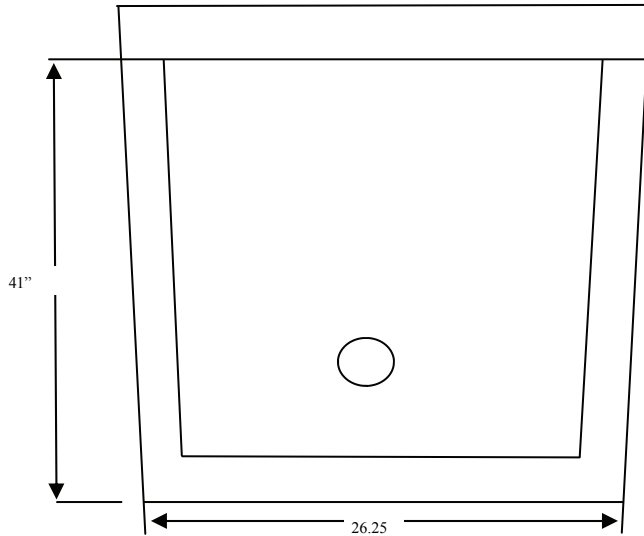
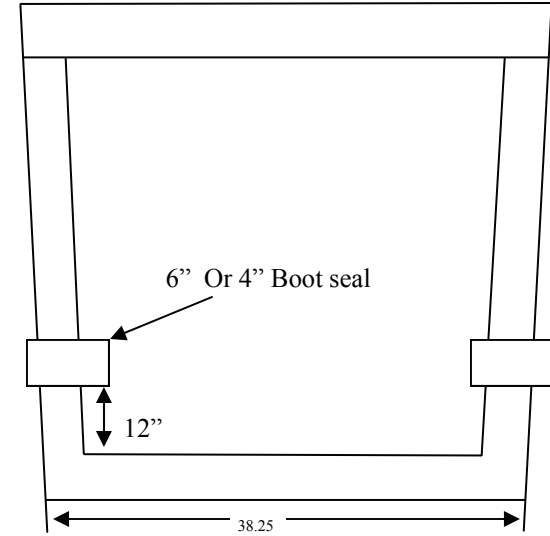


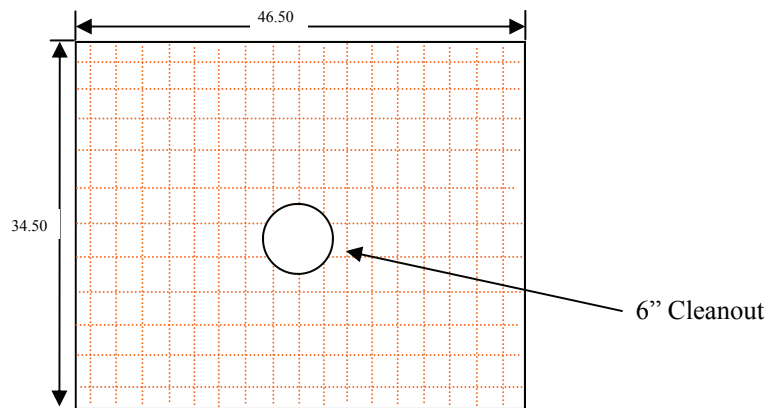
# Large Sampling Box CAT 4



End View



Side View



Lid View

Notes:

Receptacle has been designed and tested in accordance with Florida Administrative Code (FAC) 381 Chapter 64E-6.

Poly II High Pressure Pipe Seal (Accepts 2",3",4" & Corrugated Pipe) Poly II will meet the Vacuum & Hydrostatic pressure requirements of A.S.T.M. spec. C-923 for 2", 3" & 4" SCHD.40

**Sebring Septic Tank**  
*Big Enough To Serve. Small Enough To Care.*  
**Sampling Box**

*Concrete @ 4000psi. Air space calculated @ 15% minimum. Steel placement in tank lid, #6 grade 60 deformed rebar 6" OC, both ways. Walls are reinforced with #4 grade 60 deformed rebar 6" OC. Max cover 6"*